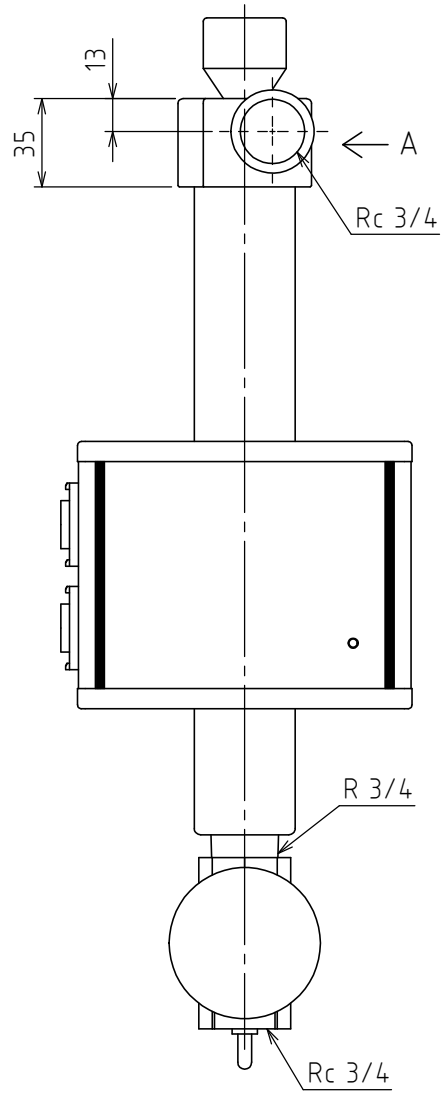
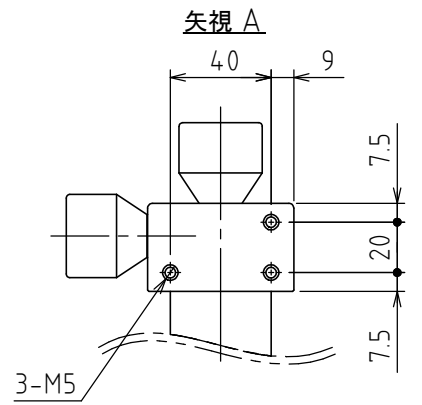
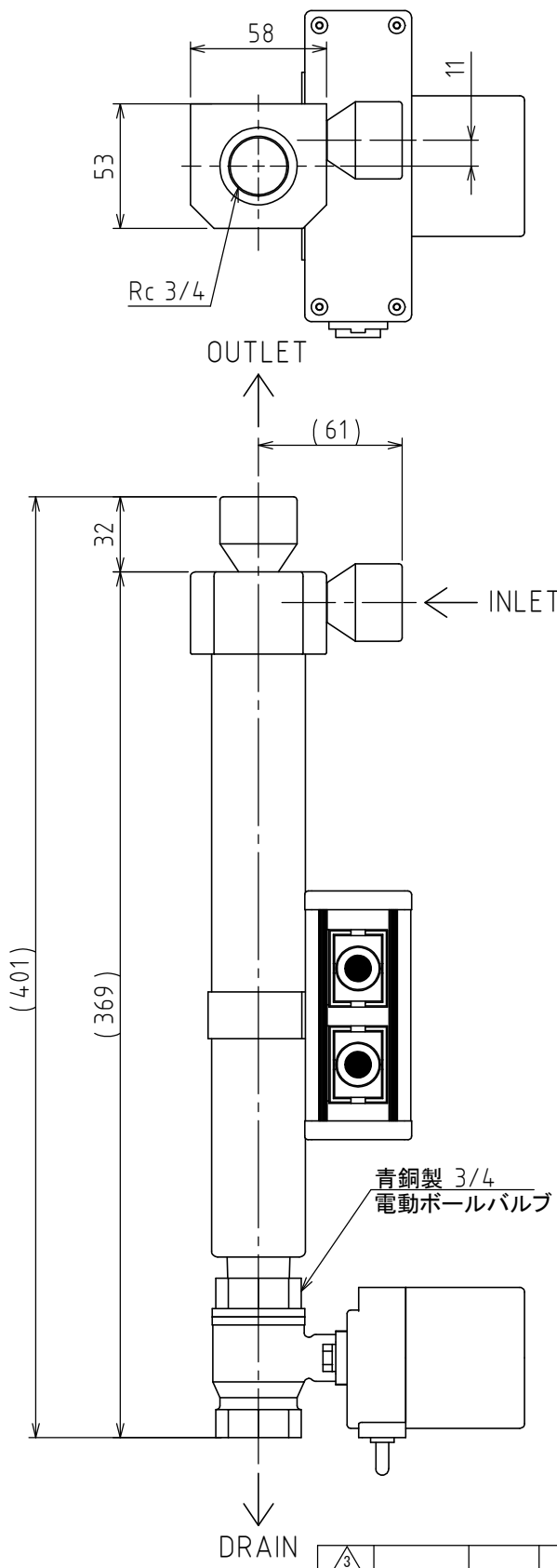


推奨)入口圧力を0.2Mpa以上確保して下さい。

A  
B  
C  
D  
E  
F



APPROVED	CHECKED	DESIGNED	DRAWN	REV No.	DATE	SIGNATURE	CHECKED	REV NOTE	REV No.	DATE	SIGNATURE	CHECKED	REV NOTE
				mm	MATERIAL	SUS304			TITLE	KSS-20A			
				A 4	SURFACE TREATMENT				GROUP	自動			
industria					HEAT TREATMENT				CODE No,	20120911			
					SCALE	-	NUMBER		DWG No,	XXXX-XXXX-XX			