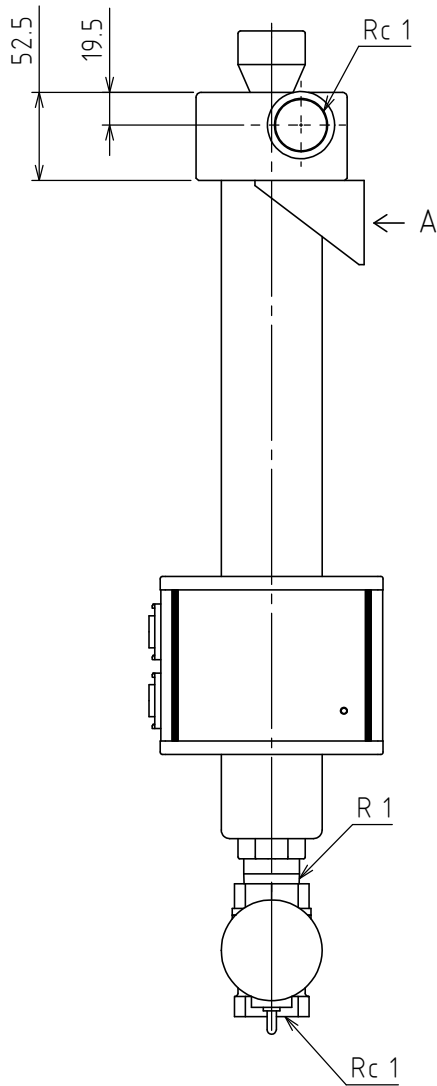
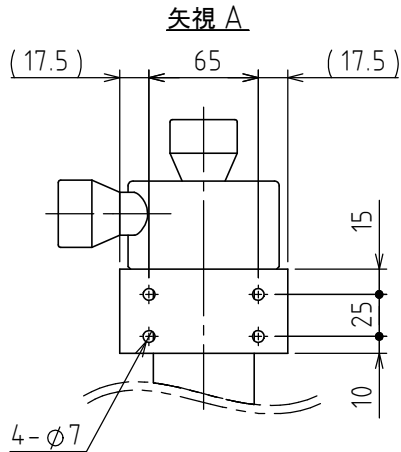
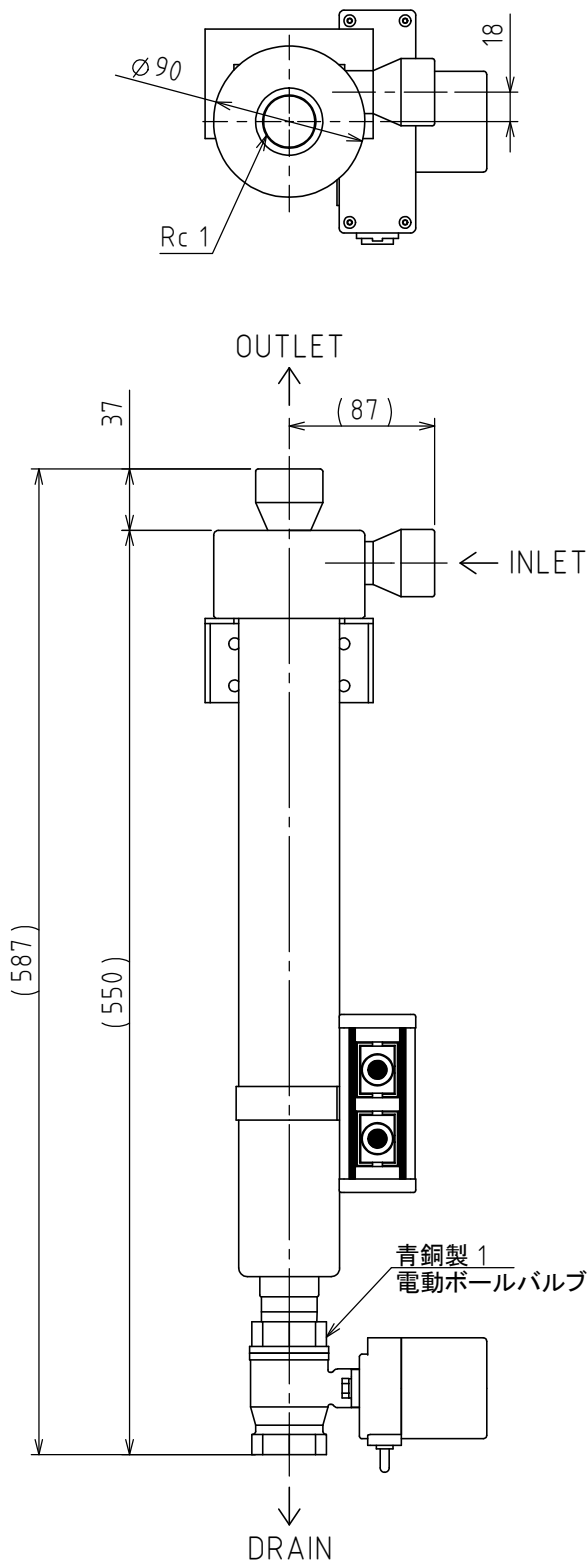


推奨) 入口圧力を0.2Mpa以上確保して下さい。

A
B
C
D
E
F



APPROVED	CHECKED	DESIGNED	DRAWN
----------	---------	----------	-------

△3						△6						
△2						△5						
△1						△4						
REV No.	DATE	SIGNATURE	CHECKED	REV NOTE	REV No.	DATE	SIGNATURE	CHECKED	REV NOTE			
mm	MATERIAL	SUS304				TITLE	KSM-25A					
A 4	SURFACE TREATMENT					GROUP	自動					
industria		HEAT TREATMENT					CODE No,	20120911				
		SCALE	-	NUMBER		DWG No,	XXXX - XXXXXX - X					