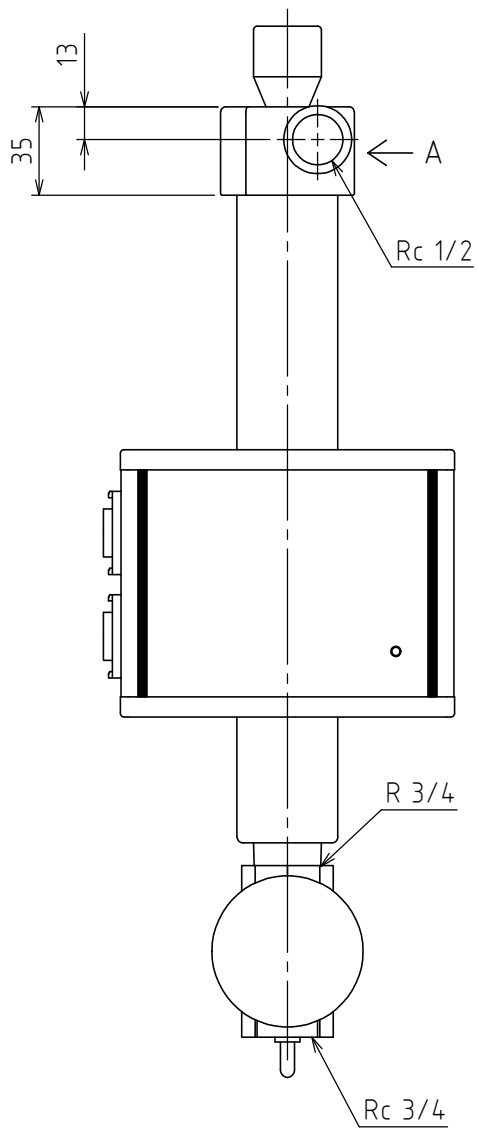
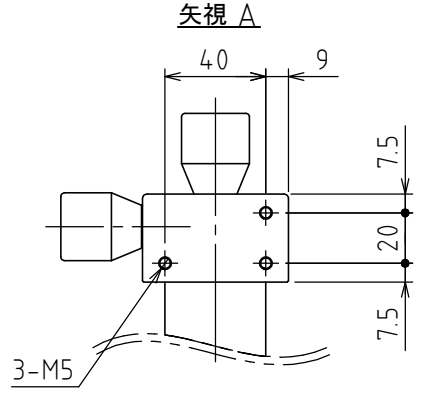
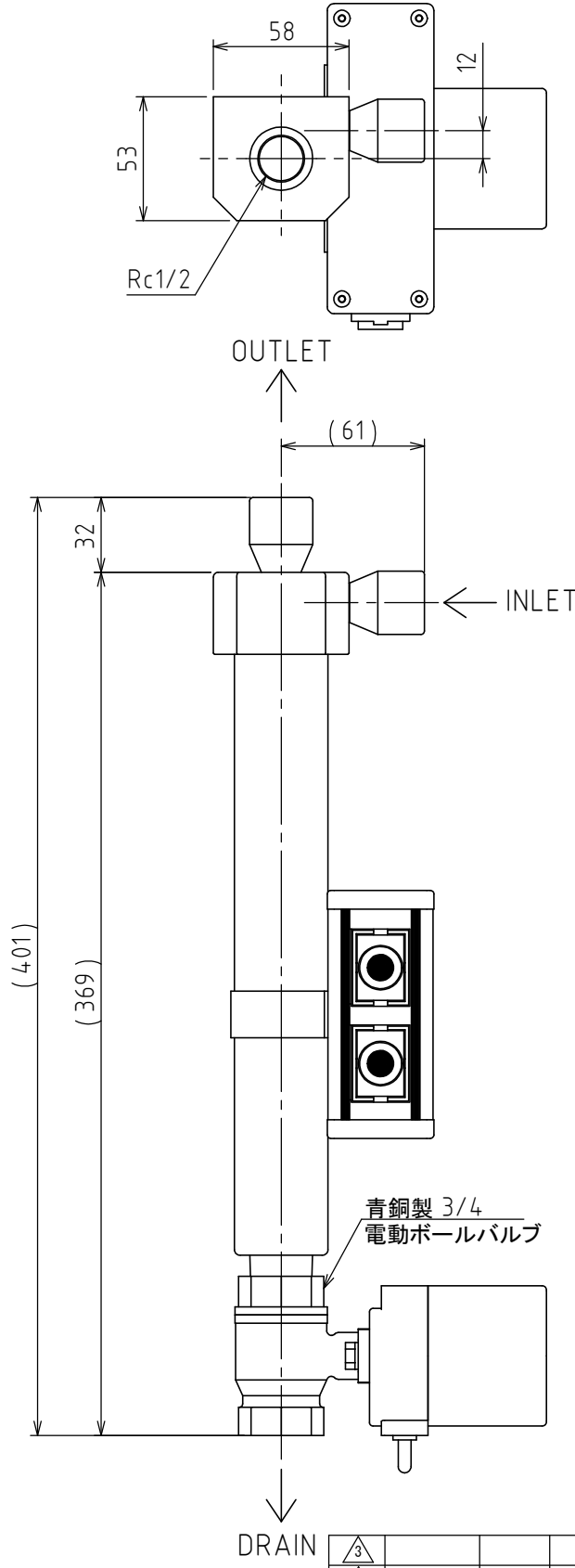


推奨)入口圧力を0.2Mpa以上確保して下さい。

A
B
C
D
E
F



				3						6				
				2						5				
				1						4				
APPROVED	CHECKED	DESIGNED	DRAWN	REV No.	DATE	SIGNATURE	CHECKED	REV NOTE	REV No.	DATE	SIGNATURE	CHECKED	REV NOTE	
				mm	MATERIAL	SUS304				TITLE	KS-15A			
				A 4	SURFACE TREATMENT					GROUP	自動			
industria					HEAT TREATMENT					CODE No,	20120911			
					SCALE	-	NUMBER		DWG No,	XXXX - XXXXXX - X				