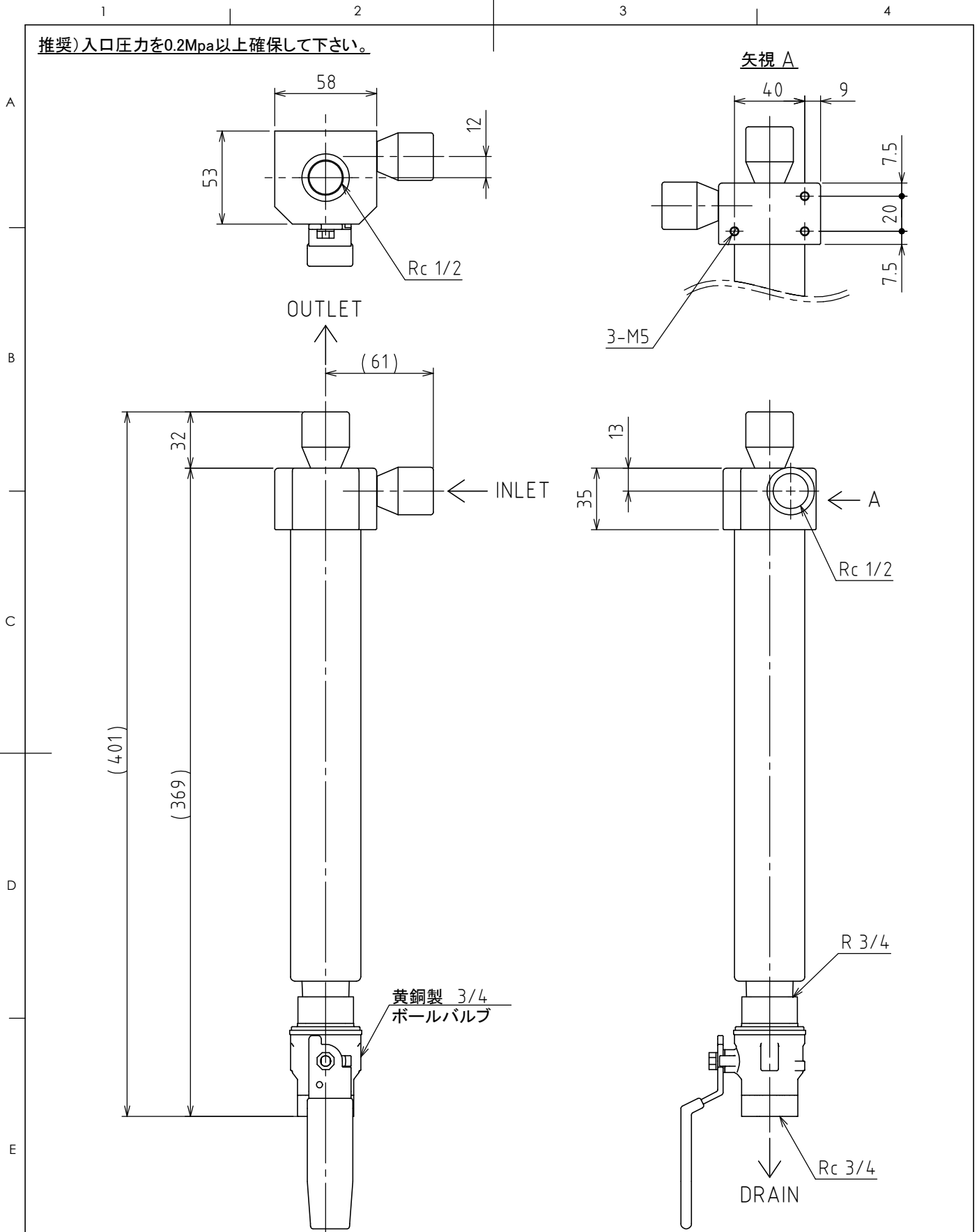


推奨)入口圧力を0.2Mpa以上確保して下さい。



△3						△6							
△2						△5							
△1						△4							
APPROVED	CHECKED	DESIGNED	DRAWN	REV No.	DATE	SIGNATURE	CHECKED	REV NOTE	REV No.	DATE	SIGNATURE	CHECKED	REV NOTE
				mm	MATERIAL	SUS304				TITLE	KS-15		
				A 4	SURFACE TREATMENT					GROUP	手動		
industria					HEAT TREATMENT					CODE No,	20120911		
					SCALE	-	NUMBER		DWG No,	XXXX-XXXXXX-X			