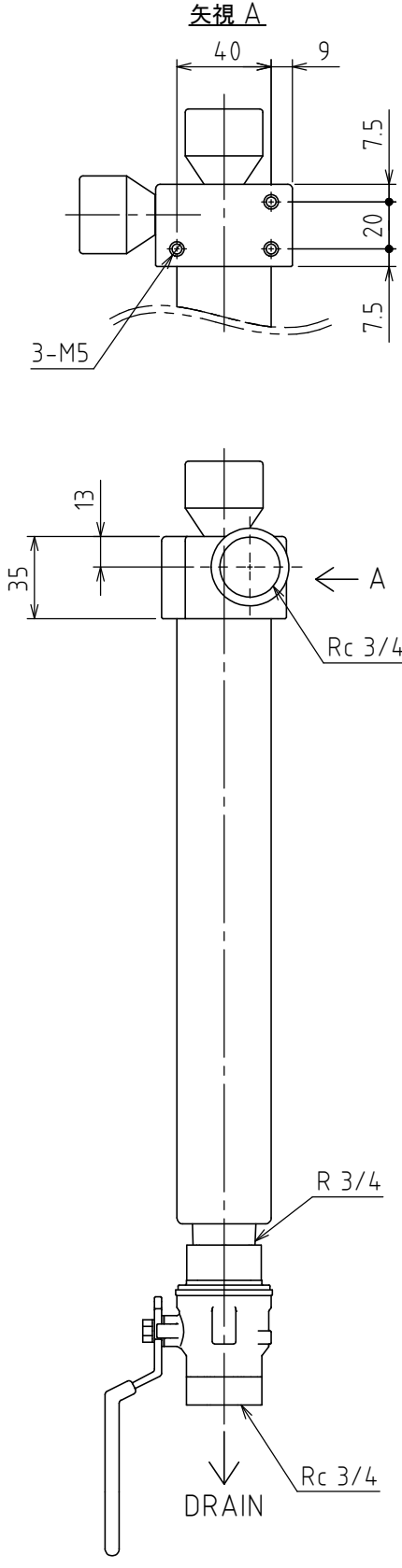
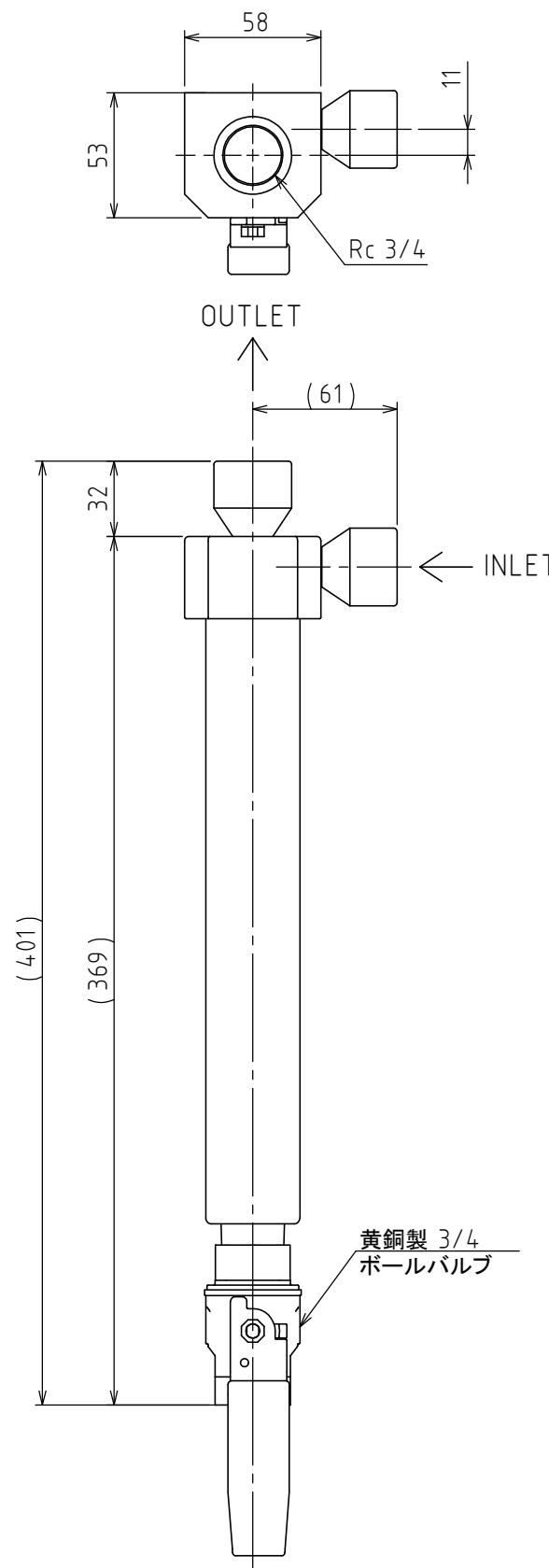


推奨)入口圧力を0.2Mpa以上確保して下さい。

A
B
C
D
E
F



3						6							
2						5							
1						4							

APPROVED	CHECKED	DESIGNED	DRAWN	REV No.	DATE	SIGNATURE	CHECKED	REV NOTE	REV No.	DATE	SIGNATURE	CHECKED	REV NOTE
				mm	MATERIAL	SUS304			TITLE	KSS-20			
				A 4	SURFACE TREATMENT				GROUP	手動			
industria					HEAT TREATMENT				CODE No,	20120911			
					SCALE	-	NUMBER		DWG No,	XXXX-XXXX-XX			